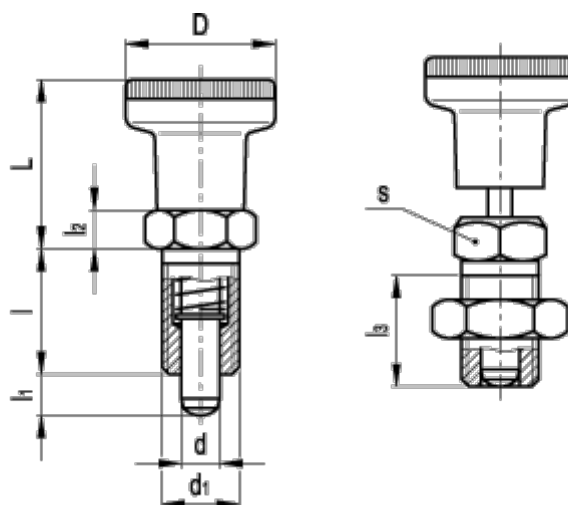


# Data Sheet



Article number: 2308051522  
Description: E+G Index plunger  
PMT.100-6-M12x1.5-AK

## Measures



Code = PMT.100-6-M12x1,5-AK

D = 25

d = 6

d1 = M12x1.5

l = 20

L = 28

l1 = 6

l2 = 6

l3 = 17

Max. axial load (N) = 24

s = 14